

212fw-31 Kids' Fair Isle Shorts



Suggested yarn:

- Pierrot Yarns Junmo Chuboso [50% merino wool, 50% other wool; 164 yds/150m per 1.41 oz./40g skein];
 - color #304 shell pink, 1 skein [5g]
 - color #307 crimson, 1 skein [5g]
 - color #314 cyan green, 1 skein [5g]
 - color #321 gray beige, 3 skeins [100g]
 - color #325 night blue, 1 skein [5g]

Tools/Notions:

- 3.0mm (US 2½) and 3.3mm (approx. US 3) straight knitting needles or sizes necessary to achieve gauge
- 3.0mm (US 2½) double-pointed knitting needles or size necessary to achieve gauge

Finished measurements:

- length 46.5cm/18.31" (Japanese kids' size 110cm (height); roughly US children's size 4)

Gauge (10cm/4" square):

- pattern stitch: 28 sts and 32.5 rows
- stockinette stitch: 27 sts and 33 rows

Gauge may vary according to individual knitting style. Change needle size if necessary to achieve gauge. Alternatively, rework pattern with your own gauge measurements.

Knitting Tips

Right and left pieces: Cast on with long-tail cast-on method. Work in k1p1 ribbing followed by stockinette stitch and pattern stitch. Reverse shaping of right side for left side.

Finishing: Seam crotch with mattress stitch. Seam crotch rise in one continuous mattress stitch seam from front to back. Pick up stitches around waist and work waistband in k1p1 ribbing in the round. Bind off in pattern. Fold waistband as shown; seam bind-off edge to wrong side of shorts with whipstitch. Thread elastic into waistband.

Abbreviations:

BO = bind off

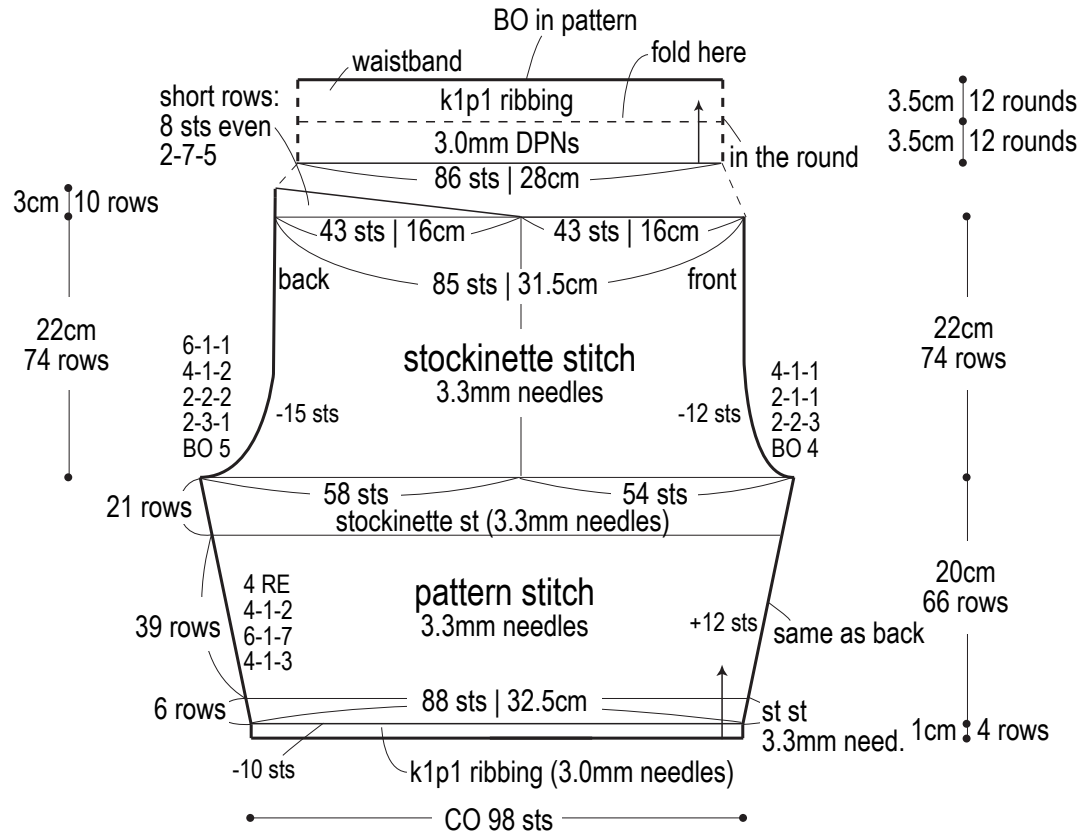
CO = cast on

PU = pick up

RE = row(s) even

#-#-# = rows-stitches-times

Right side

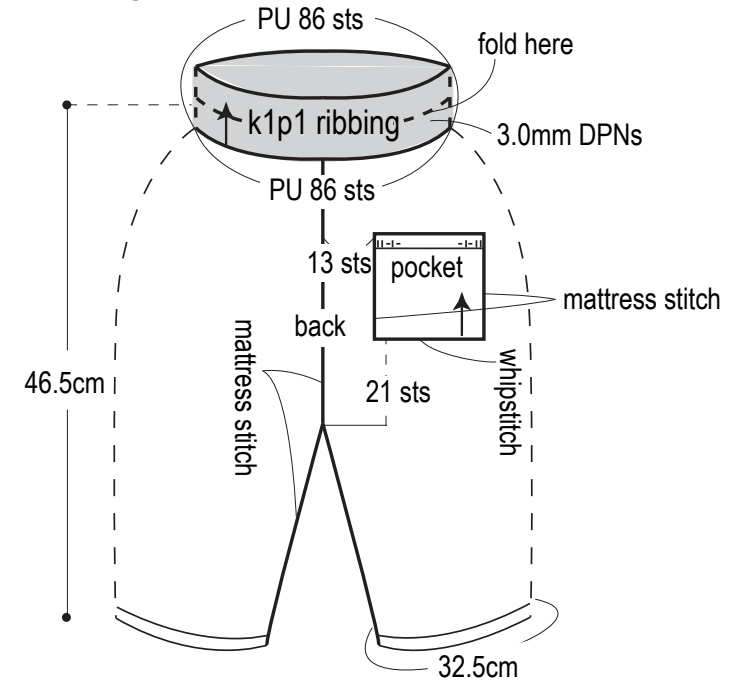


※Reverse shaping of right side for left side.

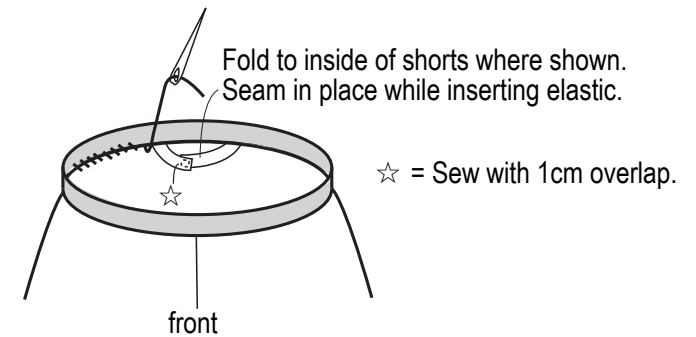
※Refer to pattern stitch chart (next page) for color sequences.

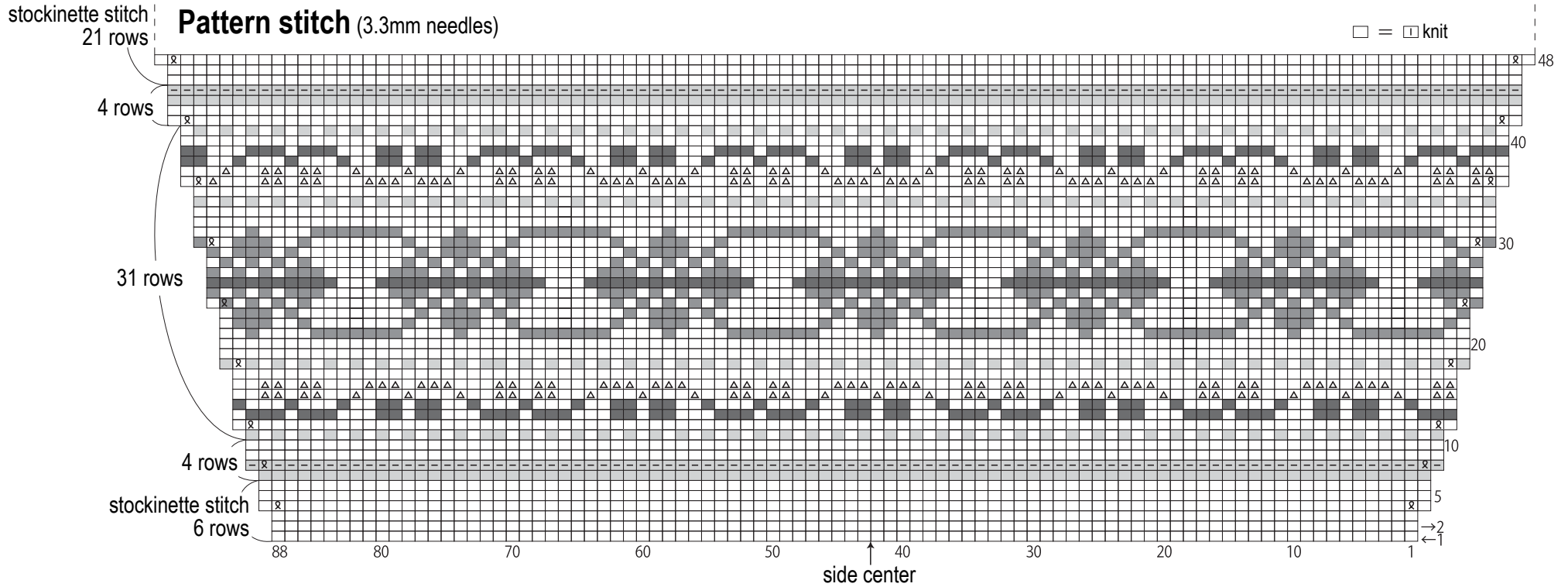
※Knit all k1p1 ribbing sections and stockinette stitch sections in color #321 gray beige.

Finishing

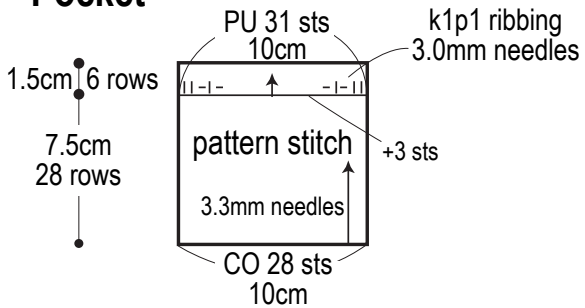


Waistband





Pocket



Pocket pattern stitch

3.3mm needles

